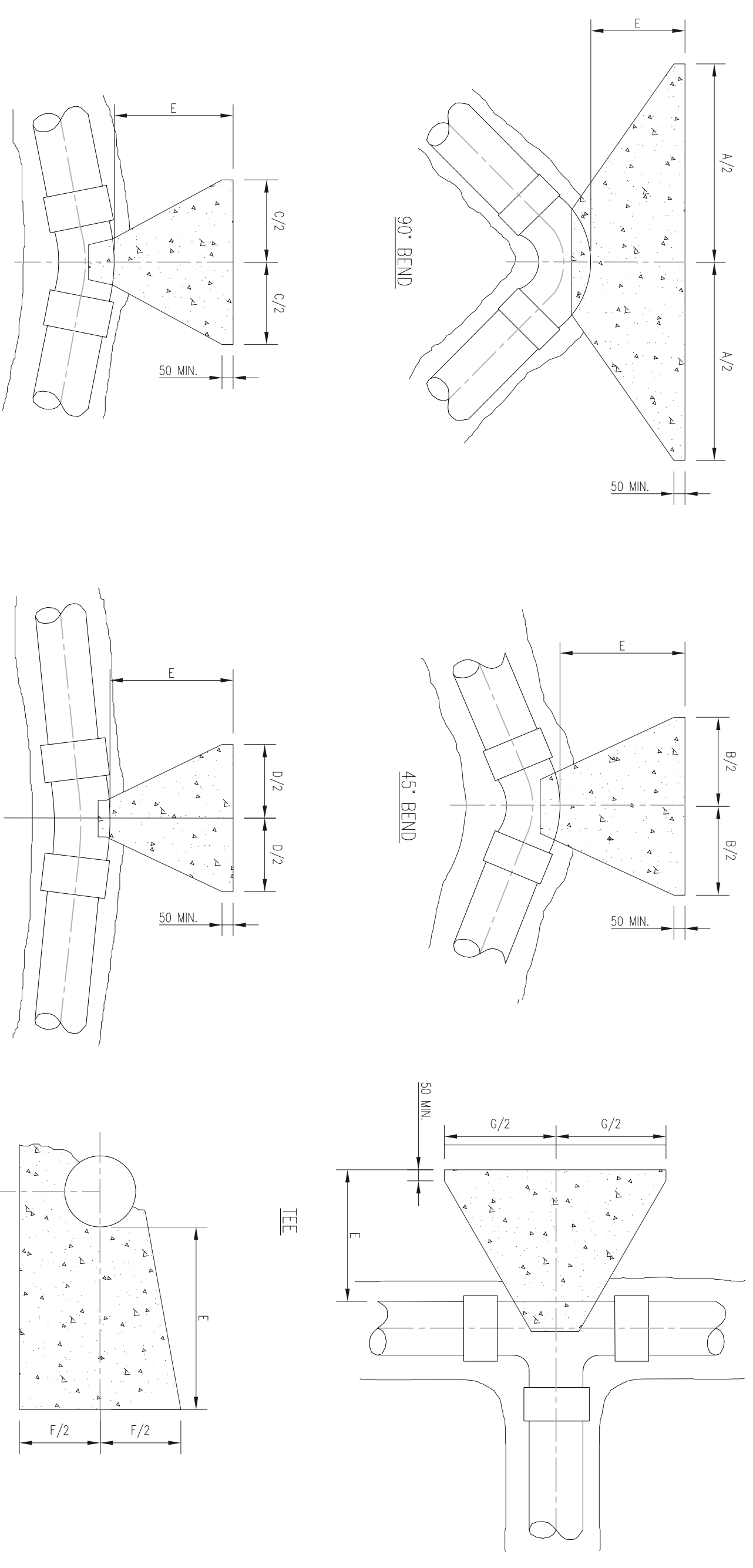
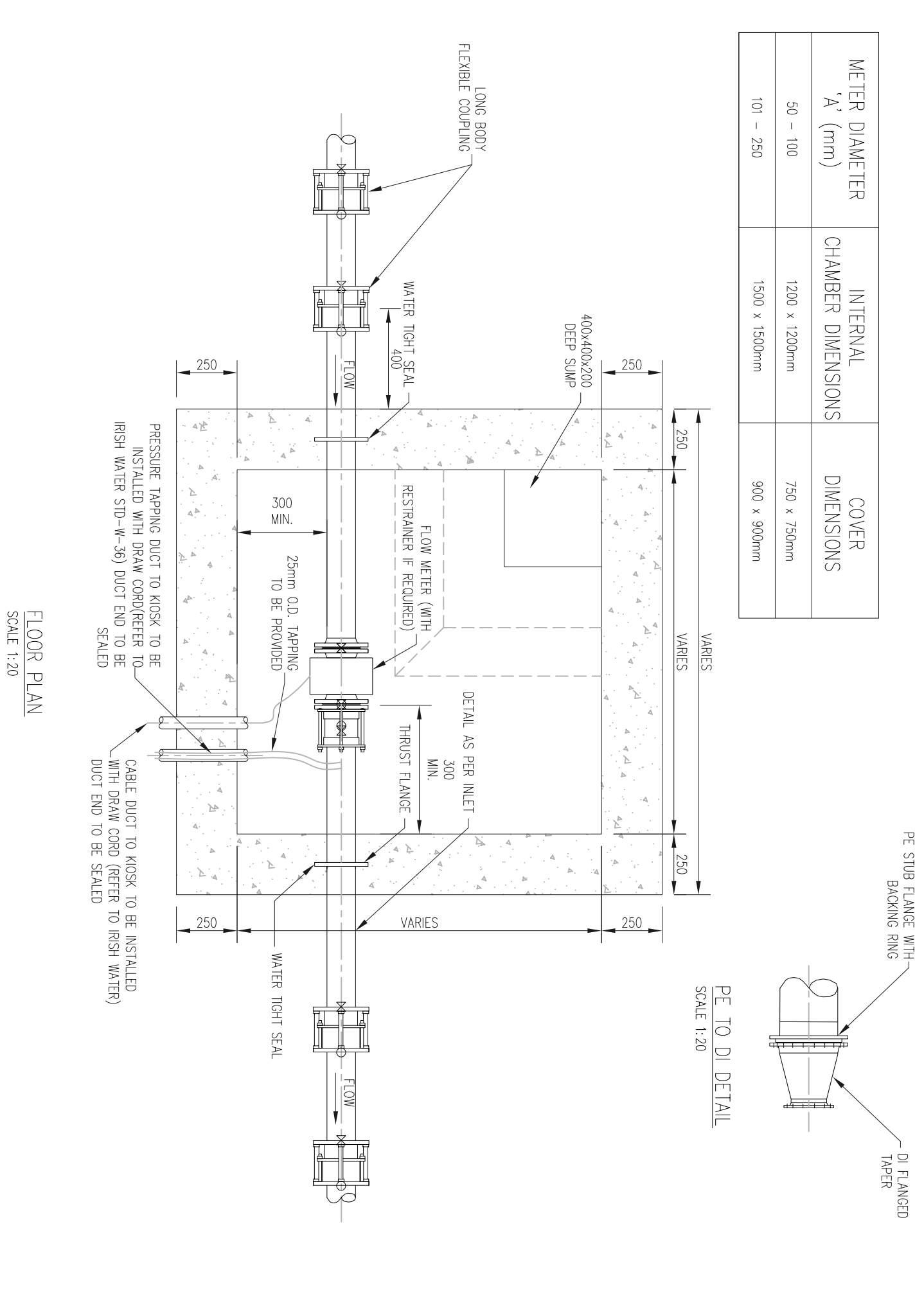
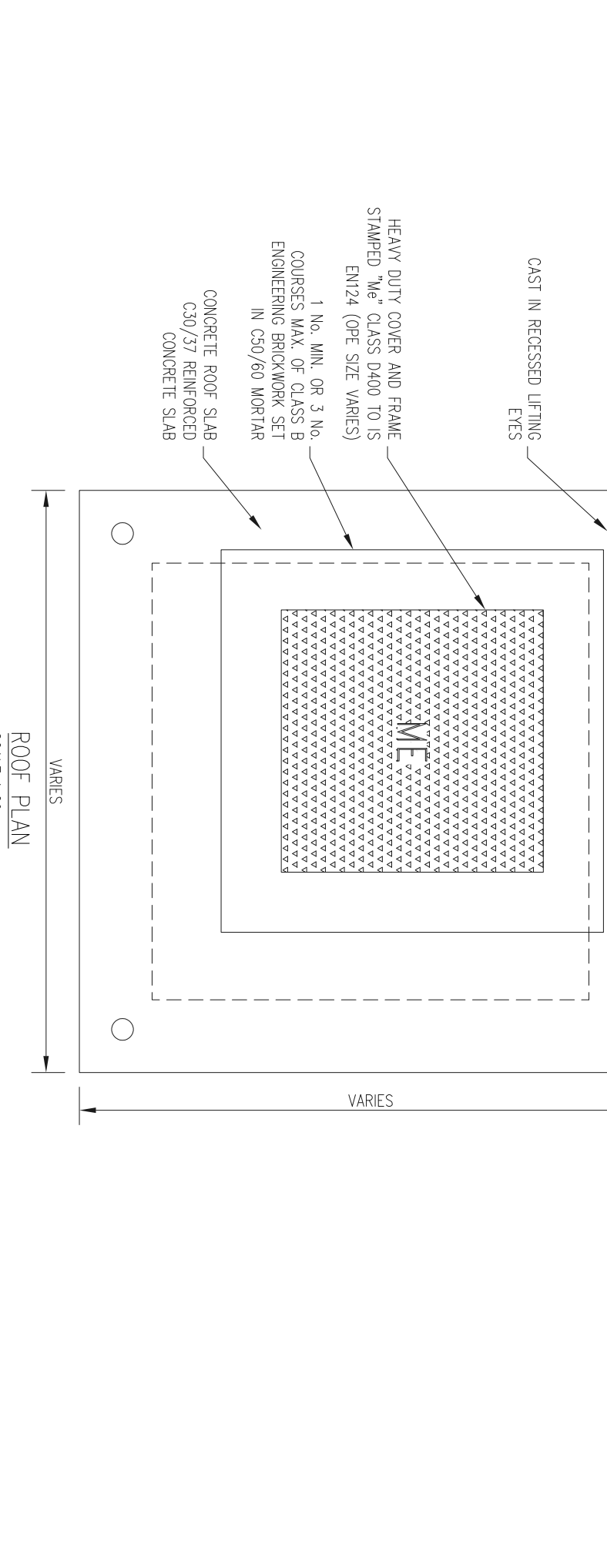
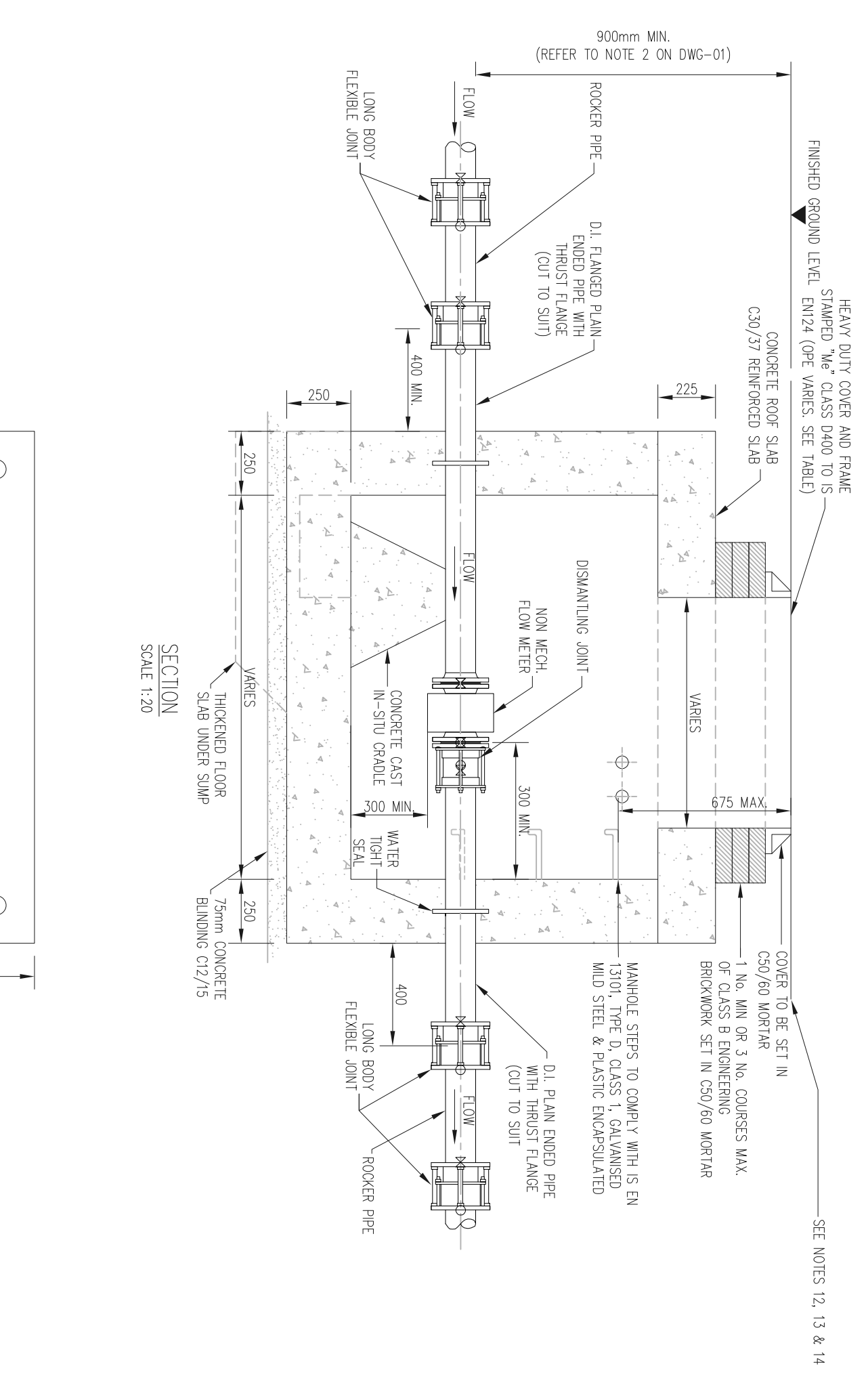


**NOTES**

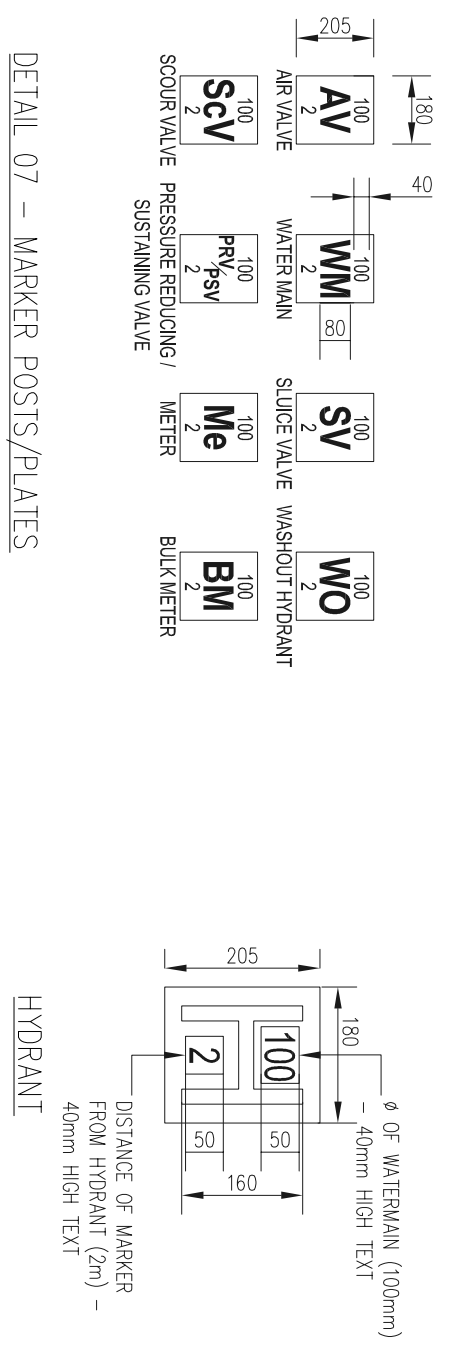
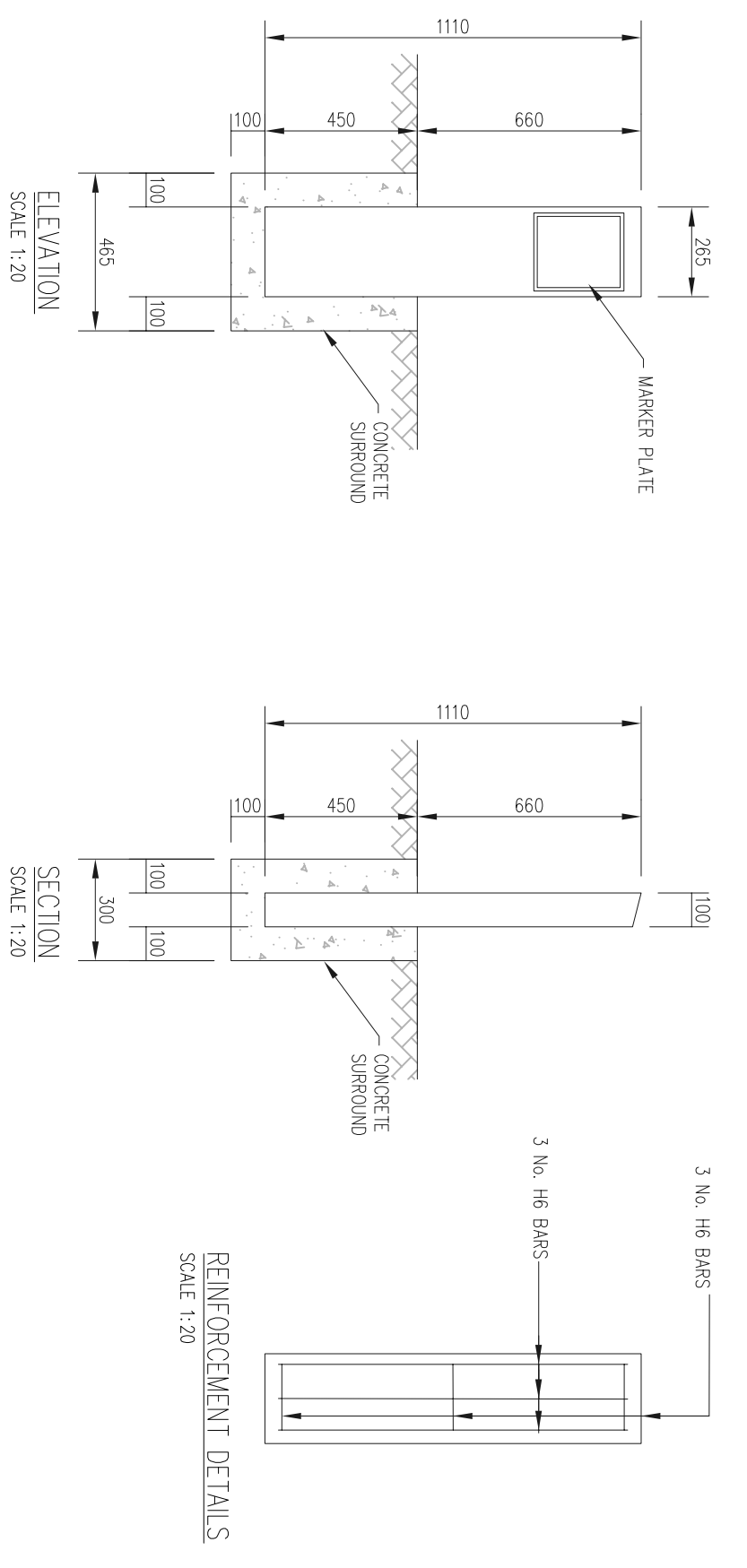
- GENERAL
- 1) THESE DRAWINGS TO BE READ IN CONJUNCTION WITH ALL RELEVANT HAYES HIGGINS ENGINEERING DRAWINGS AND SPECIFICATIONS.
  - 2) DO NOT SCALE. USE FIGURED DIMENSIONS ONLY.



15 BAR TO 18 BAR TEST PRESSURE

NOM. DIAMETER (mm)	A	B	C	D	E	F	G
100	150mm	40mm	20mm	100mm	22mm	40mm	50mm
150	120mm	70mm	35mm	18mm	25mm	50mm	80mm

DETAIL 06 - WATER MAIN THRUST AND SUPPORT BLOCKS



DETAIL 07 - MARKER POSTS/PLATES

DETAIL 05 - NON-MECH. METER CHAMBER (40-250mm Ø)

**HAYES HIGGINS PARTNERSHIP**

The Glass House, 11 Coke Lane  
Smithfield, Dublin 7. Tel: 01 6612321  
E-mail: admin@hayeshiggins.ie  
Cork House Lane, Kildenny, Tel: (056) 7764710  
Email: info@higgin.ie

PROJECT NO.	20D018
DRAWING NO.	04
REVISION	P
SCALE	AS SHOWN
DATE	20.04.2021
DRAWN BY	DW
CHECKED BY	LM
APPROVED BY	DH

PROJECT NAME: APARTMENTS AT INNES 64 & 65 CHERRY ORCHARD INDUSTRIAL ESTATE  
DRAWING NAME: IRISH WATER WATERMAIN DETAILS  
SHEET 2 OF 4

ISSUED FOR PLANNING	DM	LM
DATE	DESCRIPTION	DATE BY
<b>PLANNING</b>		
CLIENT: AHPALMERSTOWN LIMITED		